

This system physically removes harmful micro-organisms (including bacteria, viruses, protozoan cysts and organic chemicals) to provide safe, crisp, fresh and crystal clear water for your whole family's peace of mind and healthy living.

## Ultraspring Ultrafiltration



Our AQUA Designer Taps delivers fresh, great-tasting filtered water as a side tap, stylishly crafted to compliment your kitchen.

TRI FLO MIXER Taps is a 3-in-1 dual purpose mixer tap, providing hot and cold water with an additional outlet for filtered water. No side taps required!



UBUFA-C UBUFA-TFD  
 UBUFA-P UBUFA-TFE  
 UBUFA-D UBUFA-ES  
 UBUFA-T

Replace 'A' in Product Code with 'M' for Manual version

### BENEFITS

This under bench Ultraspring Ultrafiltration system utilises ultrafiltration membrane technology. To date, the technology has only been applied in large-scale community based projects, now we offer this technology to individual houses, schools and commercial establishments looking for safe drinking water.

Enjoy the peace of mind that your water has been filtered for remarkable purity. The system filters down to 0.04 micron to provide 99.999% physical removal of bacteria (E-Coli), 99.9999% physical removal of viruses (Polio), and 99.7% physical removal of cysts (Cryptosporidium)

Safeguard your health from chemical contamination by physically removing Chlorine, Pesticides, Alkenes, Chlorophenols, Aromatic Hydrocarbons and Trihalomethanes.

Boost your daily performance by leaving healthy minerals and natural salts in your drinking water. Your mind and body will be invigorated and revived by the smooth, crisp, fresh and crystal clear water continuously served at home. Your children will habitually ask for water instead of soft drinks; your guests will rave about the beautiful taste of your water.

### FEATURES

This Eco-friendly system requires no power or chemicals to purify water (98% energy efficient)

The advantage with ultrafiltration is that it is based on high cross flow membrane technology, allowing the filtration surface to be cleaned at regular intervals. This ensures that the membrane elements have long life and the cost of operation is minimal. The system is well-built to clean itself daily with only a yearly service required.

The system gives you the flexibility to install ion exchange option if you need to remove extra hard minerals, iron and manganese



Why not upgrade to chilled water?

Add Code: UBIC

**SPECIFICATIONS**

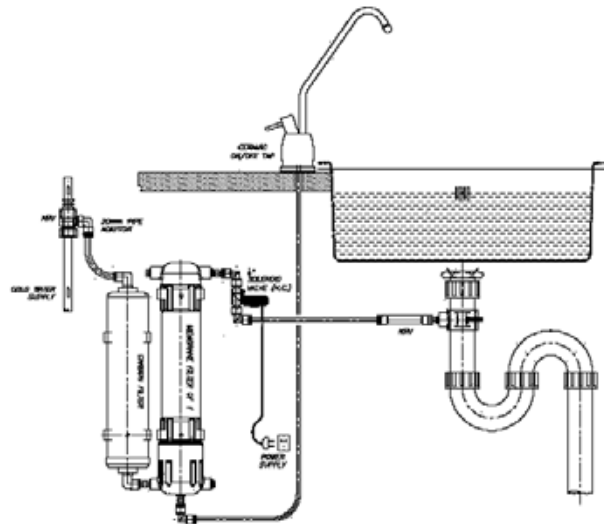
Flow Rate	1-4 Lpm (depending on water pressure)
Temperature Range	0 - 50°C
Optimum Pressure Range	30 - 50 psi
Dimensions	140 x 320 mm
Approximate Flush Volume	4 L
Controller Voltage Options	12 - 230 Volts

\*Certificate of Performance.

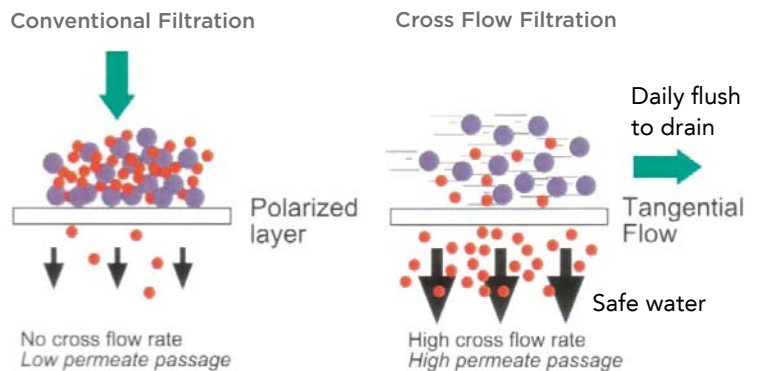
The E.Coli Eliminator water treatment unit has been tested by a procedure based on AS/NZS4348 'Water Treatment - Domestic Treatment Devices - Performance Requirements'. This standard is recognised by the New Zealand Ministry of Health for "Treating water from roofs, rivers, lakes, etc."

These performance achievements indicate that E.Coli Eliminator is suitable for use in domestic and small-scale community drinking water supplies.

**TYPICAL INSTALLATION LAYOUT**



**CROSS FLOW FILTRATION TECHNOLOGY**



The tests show that E.Coli Eliminator can remove:

Bacteria removal*	99.999% reduction against E.Coli
Virus removal*	99.9999% reduction against Poliovirus
Cyst removal*	99.7% reduction against Cryptosporidium
Turbidity	0.1 NTU ex unit
Chlorine	95% reduction
Pesticides	Dieldrin, Heptachlor, Lindane, Atrazine, Hexazinone Chlordane, DDT, DDD, DDE, Delta-BHC
Alkanes and Alkenes	Carbon Tetrachloride, Tetrachloroethene, 1, 1-Dichloroethene, cis-1, 2-Dichloroethene
Chlorophenols	2-chlorophenol, 2, 4-dechlorophenol
Aromatic Hydrocarbons	Benzene, Chlorobenzene, Ethylbenzene, Styrene, Toluene, Xylene (o, m & p)
Trihalomethanes	Chloroform

With the Ion Exchange Resin attachment E.Coli Eliminator can remove:

Metals	Arsenic, Lead, Mercury, Aluminium, Iron, Manganese, Selenium, Cadmium, Copper and Zinc
Inorganic Compounds	Cyanide



Nationwide Sales & Service  
 Freephone 0800 650 100  
 www.aqua.co.nz  
 Head Office:  
 Aqua Synergy Group  
 Phone 09 414 5600 Fax 09 414 5601  
 PO Box 300419, Albany, Auckland 0752



## Certificate of Performance

The E.Coli Eliminator water treatment unit has been tested by a procedure based on AS/NZS4348 'Water Treatment – Domestic Treatment Devices – Performance Requirements'. This standard is recognised by the New Zealand Ministry of Health for "Treating water from roofs, rivers, lakes, etc."

### The tests show that E.Coli Eliminator can remove:

<b>Bacteria</b>	> 99.999% reduction against E.Coli
<b>Viruses</b>	> 99.9999% reduction against Poliovirus
<b>Protozoa</b>	> 99.7% reduction against Cryptosporidium
<b>Turbidity</b>	> 0.1 NTU ex unit
<b>Chlorine</b>	> 95% reduction
<b>Pesticides</b>	Dieldrin, Heptachlor, Lindane, Atrazine, Hexazinone Chlordane, DDT, DDD, DDE, Delta-BHC
<b>Alkanes and Alkenes</b>	Carbon Tetrachloride, Tetrachloroethene, 1, 1-Dichloroethene, cis-1, 2-Dichloroethene
<b>Chlorophenols</b>	2-chlorophenol, 2, 4-dechlorophenol
<b>Aromatic Hydrocarbons</b>	Benzene, Chlorobenzene, Ethylbenzene, Styrene, Toluene, Xylene (o, m & p)
<b>Trihalomethanes</b>	Chloroform

### With the Ion Exchange Resin attachment E.Coli Eliminator can remove:

<b>Metals</b>	Arsenic, Lead, Mercury, Aluminium, Iron, Manganese, Selenium, Cadmium, Copper and Zinc
<b>Inorganic Compounds</b>	Cyanide

These performance achievements indicate that E.Coli Eliminator is suitable for use in domestic and small-scale community drinking water supplies.

Signed:



(Chief Executive, Food Quality Management NZ Ltd)



FOOD QUALITY MANAGEMENT NZ LTD